

Press Release

11 September 2018

Madurai now powered with Act Fibernet's high-speed fiber broadband connectivity.

Madurai, 11 September 2018: ACT Fibernet (Atria Convergence Technologies Ltd.) India's largest fiber-focused wired broadband ISP (Internet Service Provider)[i] has launched its services in Madurai, Tamil Nadu. As part of this move, ACT Fibernet has introduced broadband plans for both **Retail and SOHO** (Small office, home office) customers, who can now access high speed fiber broadband connectivity for their entertainment and business needs.

Under Retail, ACT Fibernet has introduced two broadband plans. **ACT Sliver** is bundled with 150 GB FUP limit with 50 Mbps speed and **ACT Gold** offers 300 GB FUP limit with 100 Mbps speed. Similarly, for **SOHO** (Small office, home office), **ACT SOHO Lightning** offers 600 GB FUP limit with 100 Mbps speed and **ACT SOHO Incredible** offers 1000 GB FUP limit with 150 Mbps speed.

Commenting on the launch **Mr. Sandeep Gupta, COO, Atria Convergence Technologies Ltd. said,** "Madurai is one of the major cities of Tamil Nadu, and in a short span of time the city has emerged to be an important industrial and educational hub. As a result, people have become more digitally savvy, which has further led to an incessant demand for a reliable and fast internet broadband service. Our aim is to empower every citizen in India with high speed internet broadband connectivity, and we are very happy to bring our services to the consumers of Madurai".

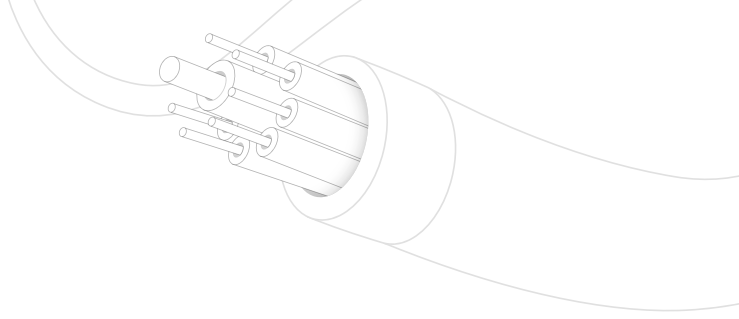
With a vision to be the most admired in-home entertainment, education, and interactive services provider in India, ACT Fibernet is one of the country's most renowned fiber broadband company, bringing state-of the art services to nearly 1.5 million happy homes.

The below table captures all plan details:

Plan Name	Internet Speed	Monthly data limit (Download + Upload)	Post FUP Speed	Monthly Rental (Rs.)
ACT Silver	50 Mbps	150 GB	512 Kbps	Rs. 599
ACT Gold	100 Mbps	300 GB	1 Mbps	Rs. 799
ACT SOHO Lightning	100 Mbps	600 GB	2 Mbps	Rs. 1499
ACT SOHO Incredible	150 Mbps	1000 GB	2 Mbps	Rs. 1999

About ACT

ACT is India's largest fiber-focused wired broadband ISP as on September 30, 2017 (in terms of number of fiber broadband internet subscribers from residential homes) (Source: India Broadband Market Overview ?" 2017 dated February 19, 2018, prepared by Media Partners Asia). ACT has operations in 15 Indian cities as on December 31, 2017 with approximately 1.28 million customers.



Media Contacts:

Debolina Palit

Genesis Burson-Marsteller

+91 9916624345

Debolina.Palit@bm.com | media@actcorp.in

Disclaimer:

Atria Convergence Technologies Limited is proposing, subject to receipt of requisite approvals, market conditions and other considerations, to make an initial public offering of its equity shares and has filed a Draft Red Herring Prospectus dated March 24, 2018 with the Securities and Exchange Board of India ("SEBI ??") on March 26, 2018. The Draft Red Herring Prospectus is available on the website of the SEBI and the websites of ICICI Securities Limited, Citigroup Global Markets India Private Limited, J.P. Morgan India Private Limited and HDFC Bank Limited.

Investors should note that investment in equity shares involves a high degree of risk and for details should refer to the Red Herring Prospectus which may be filed with the Registrar of Companies, Bengaluru in the future.

[1] Based on number of fiber broadband internet subscribers as on September 30, 2017 (Source: India Broadband Market Overview ?" 2017 dated February 19, 2018, prepared by Media Partners Asia).