

Press Release

17 Dec 2018

Act Fibernet powers popular Indian gaming technology platform, GamerConnect.

Bengaluru, 14th December 2018: CT Fibernet (Atria Convergence Technologies Ltd.) India's largest fiber-focused wired broadband ISP (Internet Service Provider), today announced its partnership with GamerConnect as their official 'Connectivity Partners'. As part of the tie-up, ACT Fibernet will provide high-speed fiber broadband to the overall infrastructure for the two-day event that will be held on 15th- 16th December 2018 at the Koramangala Indoor Stadium in Bengaluru.

In online gaming, high speed and uninterrupted internet connectivity plays a major role for a fulfilling gaming experience. Being in the internet broadband space, ACT Fibernet understand this requirement and through its pioneering technology ACT Fibernet will ensure that the players have a smooth and positive gameplay.

GamerConnect is India's largest gaming technology platform for the Indian gaming community to come together under one roof, to connect with each other and explore the vast ecosystem of the gaming industry and experience the best of PC Gaming. The event will unfold product launches, quizzes, gaming workshops with more than 5000 participants expected to be a part of the event.

Speaking on the association, Sandeep Gupta, COO, ACT Fibernet said, *"GamerConnect is one of India's biggest gaming tech platform and we are glad to partner with this event. High speed fibernet connectivity and E-Sports go hand in hand, and we believe the growth of E-Sports is only getting started. We are happy to play our part in this growth story."*

According to a report on online gaming in India by KPMG, the Indian online gaming market currently stands at \$290 million, and is estimated to grow to \$1 billion by 2021. The number of gamers in India, is expected to touch 310 million by 2021.

About ACT Fibernet

ACT Fibernet is India's largest fiber-focused wired broadband ISP as on September 30, 2017 (in terms of number of fiber broadband internet subscribers from residential homes) (Source: India Broadband Market Overview ?" 2017 dated February 19, 2018, prepared by Media Partners Asia). Headquartered in Bangalore, ACT Fibernet has operations in 15 Indian cities as on December 31, 2017 with approximately 1.28 million customers.

Media Contacts:

Debolina Palit

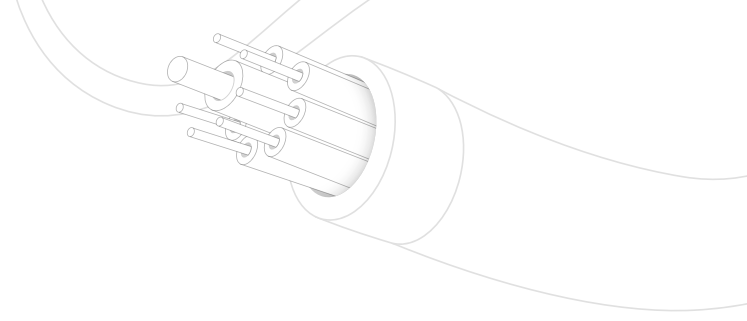
Genesis Burson-Marsteller

+91 9916624345

Debolina.Palit@bm.com | media@actcorp.in

Disclaimer:

Atria Convergence Technologies Limited is proposing, subject to receipt of requisite approvals, market conditions and other considerations, to make an initial public offering of its equity shares and has filed a Draft Red Herring Prospectus dated March 24, 2018 with the Securities and Exchange Board of India ("SEBI ??) on March 26, 2018. The Draft Red Herring Prospectus is available on the website of the SEBI and the websites of ICICI Securities Limited, Citigroup Global Markets India Private Limited, J.P. Morgan India Private Limited and HDFC Bank Limited.



Investors should note that investment in equity shares involves a high degree of risk and for details should refer to the Red Herring Prospectus which may be filed with the Registrar of Companies, Bengaluru in the future.

[1] Based on number of fiber broadband internet subscribers as on September 30, 2017 (Source: India Broadband Market Overview ?" 2017 dated February 19, 2018, prepared by Media Partners Asia).