

# Press Release

17 December 2018

## Act Fibernet joins hands with Karnataka State Reserve Police (KSRP) to provide mobile toilet units for its battalion.

**Bengaluru, 05th December 2018:** ACT Fibernet (Atria Convergence Technologies Ltd.) India's largest fiber-focused wired broadband ISP (Internet Service Provider), has teamed up with the Karnataka State Reserve Police (KSRP) to provide mobile toilets for the KSRP battalion.

Taking a step towards the KSRP's Swachh Bharat Mission and as part of its CSR program, the initiative will enable police personnel to maintain their personal hygiene while on duty. Additionally, the mobile toilets can be towed by the KSRP vehicles and used even in remote places where there are no toilet facilities.

**Commenting on this, Mr. Sunil Yajaman, Vice President, ACT Fibernet** said, *"Our partnership with the Karnataka State Reserve Police (KSRP) has given us any opportunity to give back to the service members who have sacrificed so much to keep us and our city safe. Being able to express our gratitude in this small way means a lot to us. We hope to continue our collaboration with the Karnataka police towards building a safe, clean and green society."*

**Commenting on this, Mr. Bhaskar Rao, IPS, Addl. DGP KSRP** said, *"Karnataka Police is extremely grateful to ACT Fibernet for this gesture under their CSR project. Usually the KSRP Battalion while on duty find it very difficult to answer the call of nature and get criticized if the right thing is not done. This contribution from ACT Fibernet comes as a huge relief to them and is certainly very helpful to our force. I thank ACT Fibernet for this and for all that they do under CSR for Karnataka Police."*

### About ACT Fibernet

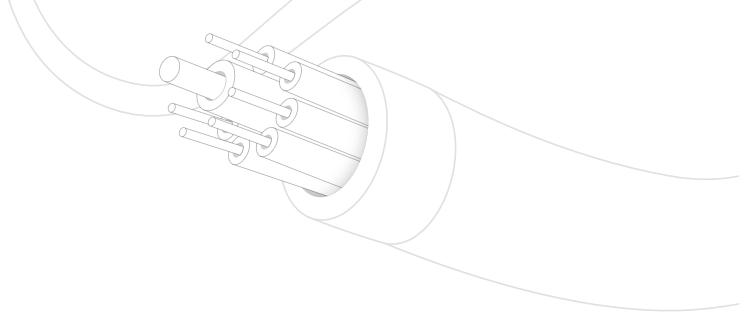
ACT Fibernet is India's largest fiber-focused wired broadband ISP as on September 30, 2017 (in terms of number of fiber broadband internet subscribers from residential homes) (Source: India Broadband Market Overview ?" 2017 dated February 19, 2018, prepared by Media Partners Asia). Headquartered in Bangalore, ACT Fibernet has operations in 15 Indian cities as on December 31, 2017 with approximately 1.28 million customers.

### Disclaimer:

Atria Convergence Technologies Limited is proposing, subject to receipt of requisite approvals, market conditions and other considerations, to make an initial public offering of its equity shares and has filed a Draft Red Herring Prospectus dated March 24, 2018 with the Securities and Exchange Board of India ("SEBI ??) on March 26, 2018. The Draft Red Herring Prospectus is available on the website of the SEBI and the websites of ICICI Securities Limited, Citigroup Global Markets India Private Limited, J.P. Morgan India Private Limited and HDFC Bank Limited.

Investors should note that investment in equity shares involves a high degree of risk and for details should refer to the Red Herring Prospectus which may be filed with the Registrar of Companies, Bengaluru in the future

Based on number of fiber broadband internet subscribers as on September 30, 2017 (Source: India Broadband Market Overview ?" 2017 dated February 19, 2018, prepared by Media Partners Asia).



**Media Contacts:**

Debolina Palit

Genesis Burson-Marsteller

+91 9916624345

[Debolina.Palit@bm.com](mailto:Debolina.Palit@bm.com) | [media@actcorp.in](mailto:media@actcorp.in)