

Press Release

17 Dec 2018

ACT Fibernet joins hands with Government of Tamil Nadu to empower visually challenged students with Digital Accessible Information System (DAISY)

The digital learning technology will be made available to students of 11th and 12th Standards across State and CBSE board

Bengaluru, 4th December 2018: ACT Fibernet (Atria Convergence Technologies Ltd.) India's largest fiber-focused wired broadband ISP (Internet Service Provider)[1], joined hands with the Government of Tamil Nadu to introduce Digital accessible information system (DAISY) for the visually impaired students of 11th and 12th Standards for both CBSE and State board syllabus in partnership with Karna Vidya foundation for the first time in India. The collaboration intends to empower students and enable them to overcome challenges through smart technology-oriented education.

Digital Accessible Information System (DAISY) Software is a globally recognized format that converts text from regular books into pdf which is easily accessible by the visually impaired students. It allows students to read full text independently, effortlessly navigate between sentences, thereby making it easy for the students to learn the subject more efficiently.

Commenting on the initiative, Edappadi K. Palaniswami, Chief Minister, Government of Tamil Nadu, said, "Government of Tamil Nadu has always furthered the cause for education of students across society using technology. It's for first time the 11th and 12th std. syllabus of State Board and CBSE is converted in this format and is a welcome initiative by ACT Fibernet. With their support, we are extremely happy to bring advanced digital learning technology to our visually challenged students. This will certainly enable them to study effortlessly, nourish their knowledge, help them keep pace with the present-day advancement and overall make them self-reliable."

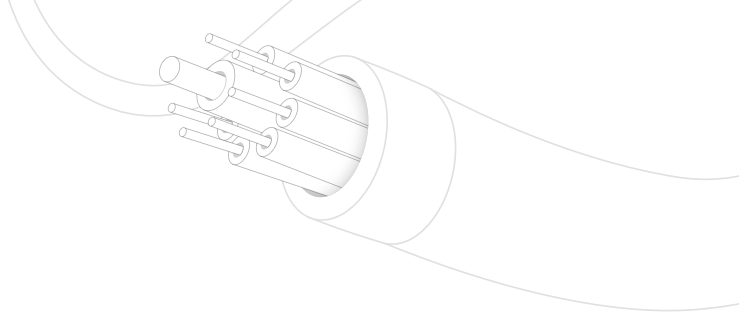
Speaking on the association, Bala Malladi, CEO, ACT Fibernet said, "In today's world, it is important for every child to have access to digital education to make the best use of opportunities that the modern economy offers. We are deeply committed to provide the same in every possible manner. It is our honor that the Government of Tamil Nadu has shown trust upon us and gave us the opportunity to empower the visually challenged students with digital education. This modern method of e-learning will certainly help our students to enhance their knowledge and give them the courage to explore new opportunities."

Further, to acknowledge the hard work and success of one such student who has overcome all the challenges of disability, ACT Fibernet will reward Master. Sabari Venkat a 15-year-old student studying in 11th standard with DAISY installed laptop and printer, that will help him complete his education with ease. Also, as a responsible corporate with a constant endeavor to improve people's lives, ACT Fibernet will be contributing over Rs.10 Lakhs to the Chief Minister's Relief Fund for the unidentified damage caused to the state during the Gaja cyclone.

About ACT Fibernet

ACT Fibernet is India's largest fiber-focused wired broadband ISP as on September 30, 2017 (in terms of number of fiber broadband internet subscribers from residential homes) (Source: India Broadband Market Overview ?" 2017 dated February 19, 2018, prepared by Media Partners Asia).

Headquartered in Bangalore, ACT Fibernet has operations in 15 Indian cities as on December 31, 2017 with approximately 1.28 million customers.



Disclaimer:

Atria Convergence Technologies Limited is proposing, subject to receipt of requisite approvals, market conditions and other considerations, to make an initial public offering of its equity shares and has filed a Draft Red Herring Prospectus dated March 24, 2018 with the Securities and Exchange Board of India ("SEBI") on March 26, 2018. The Draft Red Herring Prospectus is available on the website of the SEBI and the websites of ICICI Securities Limited, Citigroup Global Markets India Private Limited, J.P. Morgan India Private Limited and HDFC Bank Limited.

Investors should note that investment in equity shares involves a high degree of risk and for details should refer to the Red Herring Prospectus which may be filed with the Registrar of Companies, Bengaluru in the future.

Based on number of fiber broadband internet subscribers as on September 30, 2017 (Source: India Broadband Market Overview 2017 dated February 19, 2018, prepared by Media Partners Asia).

Media Contacts

Debolina Palit

Genesis Burson-Marsteller

+91 9916624345

Debolina.Palit@bm.com | media@actcorp.in