

Press Release

25 Oct 2018

ACT Fibernet joins hand with KSLTA to host Bengaluru open 2018

Bengaluru Open to be held from 12 to 17th November 2018

Bengaluru, 9 November 2018: ACT Fibernet (Atria Convergence Technologies Ltd.) India's largest fiber-focused wired broadband ISP (Internet Service Provider), in partnership with Karnataka Lawn Tennis Association will host the prestigious **Bengaluru Open ATP Challenger** tennis tournament **beginning 12th to 17th November 2018 in the Garden City.**

The Bengaluru Open, is one of the biggest ATP Challenger Tour event offering a total prize purse of US \$ 150,000. The event will showcase some of the best players from across the world and is a platform to leverage tennis as an aspiring sport in India. As many as 32 players from over 20 countries will be vying for honours in the week-long event that promises quality action to the tennis buffs of Bengaluru.

This is the second edition of the Bengaluru Open and will give the fringe players an opportunity to boost their world ranking and help them to graduate to bigger Tours. As part of the association, ACT Fibernet aims to boost the sporting culture in the city and project Bengaluru as the sporting capital of India.

*"It is no secret that Bengaluru is home to the best sporting spirit. It is also no secret that the citizens of the city - both individuals and corporates, care about the city and take an active interest in its development and its excellence. I'm thankful, that ACT have come forward to partner with us and take the KSLTA forward and the ATP challenger a success. I'm sure with their help we can become a full- fledged ATP event, ?? said **Mr. Priyank Kharge Minister for Social Welfare, Govt. of Karnataka and Chairman Organising Committee, Bengaluru Open 2018.***

Speaking on the partnership, Bala Malladi, CEO Atria Convergence Technologies Ltd said, "ATP Challenge Tour is one of the biggest tournaments of Asia and it is a pleasure for us to associate with such an esteemed event. Being a home-grown company, it is our constant endeavor to support initiatives that will place Bengaluru as one of the most dynamic city of the country. Through this tie-up, we want to promote sports and provide opportunity to the tennis fans of Bengaluru to watch some of their favorite stars in action ??

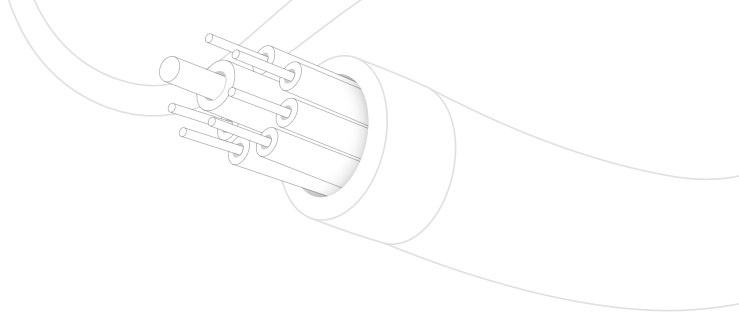
Details of the Tournament:

Venue: KSLTA Tennis Stadium, Bengaluru

Date: from 12 - 17 November '18

About ACT

ACT is India's largest fiber-focused wired broadband ISP as on September 30, 2017 (in terms of number of fiber broadband internet subscribers from residential homes) (Source: India Broadband Market Overview ?" 2017 dated February 19, 2018, prepared by Media Partners Asia). Headquartered in Bangalore, ACT has operations in 15 Indian cities as on December 31, 2017 with approximately 1.28 million customers.



Press Release

25 Oct 2018

Disclaimer:

Atria Convergence Technologies Limited is proposing, subject to receipt of requisite approvals, market conditions and other considerations, to make an initial public offering of its equity shares and has filed a Draft Red Herring Prospectus dated March 24, 2018 with the Securities and Exchange Board of India ("SEBI ??) on March 26, 2018. The Draft Red Herring Prospectus is available on the website of the SEBI and the websites of ICICI Securities Limited, Citigroup Global Markets India Private Limited, J.P. Morgan India Private Limited and HDFC Bank Limited.

Investors should note that investment in equity shares involves a high degree of risk and for details should refer to the Red Herring Prospectus which may be filed with the Registrar of Companies, Bengaluru in the future

Based on number of fiber broadband internet subscribers as on September 30, 2017 (Source: India Broadband Market Overview ?" 2017 dated February 19, 2018, prepared by Media Partners Asia).

Media Contacts

Debolina Palit

Genesis Burson-Marsteller

+91 9916624345

Debolina.Palit@bm.com | media@actcorp.in