

# Press Release

---

17 Dec 2018

## Act Fibernet in association with the Government of Tamil Nadu powered 300 schools in Chennai & Coimbatore.

**Chennai, 16 October 2018:** ACT Fibernet (Atria Convergence Technologies Ltd.) India's largest fiber-focused wired broadband ISP (Internet Service Provider)[i], in association with the Government of Tamil Nadu connected 300 schools with high speed broadband connectivity in Chennai and Coimbatore. With this initiative, ACT Fibernet aims to meet the emerging need for digital education, help students to empower themselves by acquiring, absorbing and retaining the benefits of digital learning.

Digital literacy is the need of the hour and is one of the most potent tool for empowerment of any society. The students will help bring transformation and enable to accomplish the government's vision of making India a complete digitally powered nation.

**Commenting on the initiative, Thiru/Mr.Sengottaiyan K.A, Hon. Minister for School Education in Tamil Nadu** said, "ACT Fibernet is one of the most trusted internet service provider and is known for its pioneering technology. We are extremely happy that, ACT Fibernet is investing over INR 3 Cr to extend its high-speed broadband connectivity to our government schools in Chennai & Coimbatore. This will certainly benefit our students, help them enhance their knowledge and open new opportunities."

**Speaking on the association, Sandeep Gupta, COO, ACT Fibernet** said, "We strongly believe that knowledge is the key to transformation, and it is indeed a moment of pride that the Government of Tamil Nadu gave us the opportunity to digitally empower the students in the state. This initiative will benefit thousands of students and help them enrich the present-day advancements of learning, seeking information around the globe, learning beyond the prescribed syllabus and adding additional knowledge to develop them into future instructors."

Connecting the community to the virtual world through internet is imperative for the people to grow, develop and sustain in the community. With the government's constant and fervent efforts to digitally educate citizens, Government's National Digital Literacy Mission will further receive support through initiatives such as ACT Fibernet's and its contribution to the country's digital growth.

### About ACT

ACT is India's largest fiber-focused wired broadband ISP as on September 30, 2017 (in terms of number of fiber broadband internet subscribers from residential homes) (Source: India Broadband Market Overview ?" 2017 dated February 19, 2018, prepared by Media Partners Asia). ACT has operations in 15 Indian cities as on December 31, 2017 with approximately 1.28 million customers.

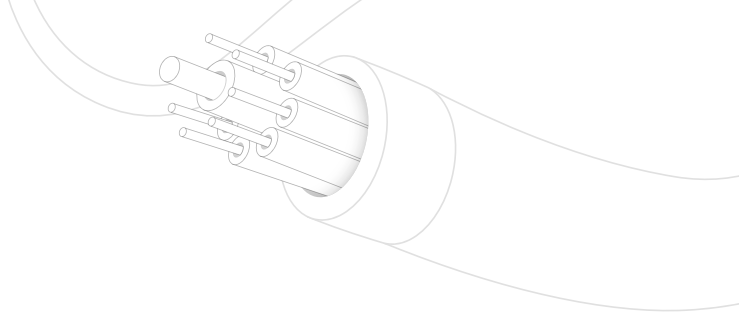
### Media Contacts:

Debolina Palit

Genesis Burson-Marsteller

+91 9916624345

[Debolina.Palit@bm.com](mailto:Debolina.Palit@bm.com) | [media@actcorp.in](mailto:media@actcorp.in)



**Disclaimer:**

*Atria Convergence Technologies Limited is proposing, subject to receipt of requisite approvals, market conditions and other considerations, to make an initial public offering of its equity shares and has filed a Draft Red Herring Prospectus dated March 24, 2018 with the Securities and Exchange Board of India ("SEBI ??) on March 26, 2018. The Draft Red Herring Prospectus is available on the website of the SEBI and the websites of ICICI Securities Limited, Citigroup Global Markets India Private Limited, J.P. Morgan India Private Limited and HDFC Bank Limited.*

*Investors should note that investment in equity shares involves a high degree of risk and for details should refer to the Red Herring Prospectus which may be filed with the Registrar of Companies, Bengaluru in the future.*

*[1] Based on number of fiber broadband internet subscribers as on September 30, 2017 (Source: India Broadband Market Overview ?" 2017 dated February 19, 2018, prepared by Media Partners Asia).*